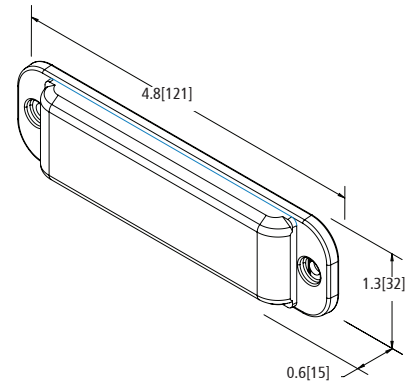


DIRECTIONAL LEDS



ED3702 Series SAE Class I Dual- or Tri-Color Surface Mount

ED3702 directional LEDs are bright and versatile warning lights suited to a wide variety of applications. Their ultra-low profile makes them easy to install virtually anywhere on a vehicle. Both models offer wide angle optics and multiple flash patterns, including synchronization with other units for simultaneous or alternating operation. The ED3702XX is a dual-color light featuring 12 LEDs (6 of each color) and is available in 7 color configurations. The ED3702XXX is a tri-color light featuring 18 LEDs (6 of each color) and is available in 4 color configurations. Each LED color can be controlled independently.



Models

PART NO.	COLORS	VDC	AMPS
ED3702AB	Amber/Blue	12-24	1.0
ED3702AC	Amber/Clear	12-24	1.0
ED3702AG	Amber/Green	12-24	1.0
ED3702AR	Amber/Red	12-24	1.0
ED3702BC	Blue/Clear	12-24	1.0
ED3702RB	Red/Blue	12-24	1.0
ED3702RC	Red/Clear	12-24 </td <td>1.0</td>	1.0
ED3702BAW	Blue/Amber/White	12-24	1.0
ED3702RAW	Red/Amber/White	12-24	1.0
ED3702RBA	Red/Blue/Amber	12-24	1.0
ED3702RBW	Red/Blue/White	12-24	1.0
ED3702AGW	Amber/Green/White	12-24	1.0

Accessories

- Black Bezel (3702-BKBZ)
- Chrome Bezel (3702-CHBZ)



Features and Benefits

ED3702XX

- 12 high intensity LEDs
- Dual-color warning
- 12 flash patterns
- Ultra-low profile surface mount
- Synchronizable
- Temperature Range: -22°F to +122°F (-30°C to +50°C)

ED3702XXX

- 18 high intensity LEDs
- Tri-color warning
- 24 flash patterns
- Ultra-low profile surface mount
- Synchronizable
- Temperature Range: -22°F to +122°F (-30°C to +50°C)

