

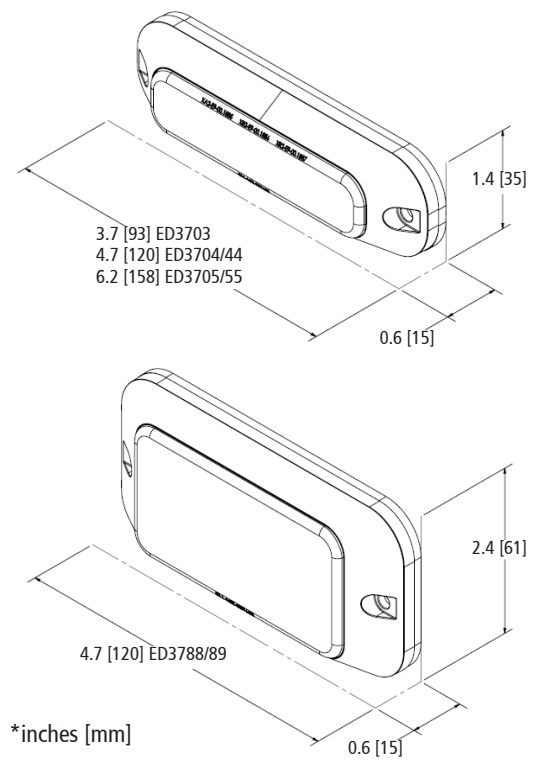


DIRECTIONAL LEDS



ED3700 Series SAE Class I Surface Mount

The versatile surface mount lights feature high-intensity LEDs providing exceptional warning synchronization capability and SAE Class I operation. Compact design, ability to fit confined mounting locations, zero maintenance and a 5-year warranty are just some of the many benefits. Available in single, split-, or dual-color variation and a double stack option. A range of accessory brackets are also available to further maximize mounting options.



Models

PART NO.	COLORS	AMPS	FLASH PATTERNS	LEDs	LENGTH	COLOR CONFIG.	STACK
ED3703X		0.4	21	3	3.7"	Single	Single
ED3704X		0.7	30	4	4.7"	Single	Single
ED3704XX		0.7	22	4	4.7"	Split	Single
ED3744XX		0.7	70	8	4.7"	Dual	Single
ED3705X		0.9	30	6	6.2"	Solid	Single
ED3705XX		0.9	22	6	6.2"	Split	Single
ED3755XX		0.9	70	12	6.2"	Dual	Single
ED3788X		1.2	62	8	4.7"	Single	Double
ED3788XX		1.2	38	8	4.7"	Split	Double
ED3789XX		1.2	70	16	4.7"	Dual	Double

LED color: A = amber, B = blue, C = clear, G = green, R = red

Features and Benefits

- Performance, versatility and style, combined in a compact and sleek design enable installation in alternative locations of the vehicle
- Single, split- and dual-color options with multiple flash patterns, including steady burn and dimmable modes
- Synchronizable
- Polycarbonate lens and waterproof housing ensure extended life
- Temperature Range: -40°F to +149°F (-40°C to +65°C)

Accessories

- Black Bezel (included with product)
- License Plate Bracket
- 90° Bracket
- Grille Bracket
- Lighthouse Programmer