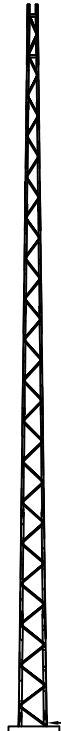


70FT S100 SUPERTITAN TOWER

12" H/H
15" H/H
18" H/H
21" H/H
24" H/H
27" H/H
30" H/H
33" H/H



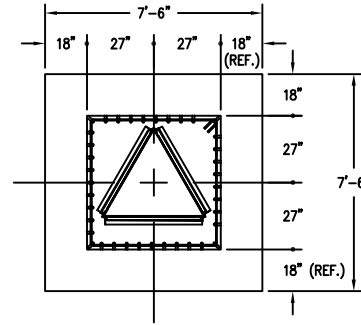
TOP SECTION #1
SECTION #2
SECTION #3
SECTION #4
SECTION #5
SECTION #6
SECTION #7

U S A	MAXIMUM ALLOWABLE ANTENNA AREA - PER TIA/EIA 222 REV. F					
	WIND VELOCITY RATINGS					
	NO ICE (ROUND/FLAT)			1/2" ICE (ROUND/FLAT)		
	70 mph	90 mph	100 mph	70 mph	90 mph	100 mph
20/14	1/--	--/--	15/10	--/--	--/--	

FOUNDATION LOADS:
MAX. OVERTURNING MOMENT (K*FT) =
MAX. SHEAR (kips) =
MAX. AXIAL (kips) =

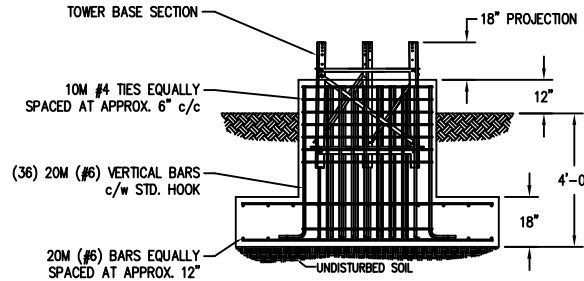
U S A	MAXIMUM ALLOWABLE ANTENNA AREA - PER TIA/EIA 222 REV. G, CLASS 1 (NO ICE)					
	WIND VELOCITY RATINGS					
	90 mph 3sg	110mph 3sg	120 mph 3sg	3sg = 3 SECOND GUST WINDSPEED		
	75 mph FM	90 mph FM	100 mph FM	FM = FASTEST MILE WINDSPEED		
ROUND	FLAT	ROUND	FLAT	ROUND	FLAT	
23	16	8	5	2	1.4	

FOUNDATION LOADS:
MAX. OVERTURNING MOMENT (K*FT) =
MAX. SHEAR (kips) =
MAX. AXIAL (kips) =



CUBIC YARDS OF CONCRETE		
PAD CONC VOL.	PIER CONC VOL.	TOTAL VOL.
3.1	2.6	5.7

FOUNDATION DESIGN (NORMAL DRY SOIL)
DESIGN ASSUMES THAT FROST DEPTH IS LESS THAN 4'-0"



REV.	BY:	BY:	DESCRIPTION	DATE
	REV.	CHK.		

REFERENCE DRAWINGS:	
DRAWING NUMBER	DRAWING NUMBER

CONFIDENTIAL: ALL INTELLECTUAL PROPERTY RIGHTS HEREIN ARE THE PROPERTY OF TRYLON INC. ALL DUPLICATION, RECORDING, DISCLOSURE OR USE IS PROHIBITED WITHOUT WRITTEN CONSENT OF TRYLON INC.

Trylon

DRAWING NO. 000001.620.0181

CUSTOMER: SITE: SCALE: 115

DATE: 07 FEB 07 BY: CHK: APP:

TITLE: 70FT S100 SUPERTITAN PROFILE

- NOTES:
- 1) KNOCK-DOWN PART NUMBER 5.94.0100.070.
 - 2) PRE-ASSEMBLED PART NUMBER: 5.95.0100.070.
 - 3) ANTENNA LOADS ARE CENTRALLY LOCATED AND BALANCED, 3-FT OR LESS ABOVE THE TOWER TOP.
 - 4) WIND LOADING ASSUMES (1) 1/2" TRANSMISSION LINE PER 10 SQ.FT. OF ROUND MEMBER ANTENNA AREA.